

STERILE PACKAGED CANNULA + REUSABLE INJECTOR



Date of creation 28/06/2019

1	Transponder	2.12x12mm, parylene ISO 11784/85
2	Programming	Code France Atria 250.26 .91 or others
3	Labels	Customized
4	Product package	SMT standard
5	Shipping package	SMT standard
6	MOQ	Shipping box
7	Option	FTP data

IMPORTANT INFORMATION

The customer is solely responsible for determining if this component is suitable for the use in the target application and its special requirements.

It is prohibited to use this component for implantation in humans, in life support applications or in other devices or systems in which a malfunction of this product can reasonably be expected to result in personal injury.

The product confirms to meet RoHS and REACH.

Technical improvements can be made without prior notice.

ATRIA TRADING

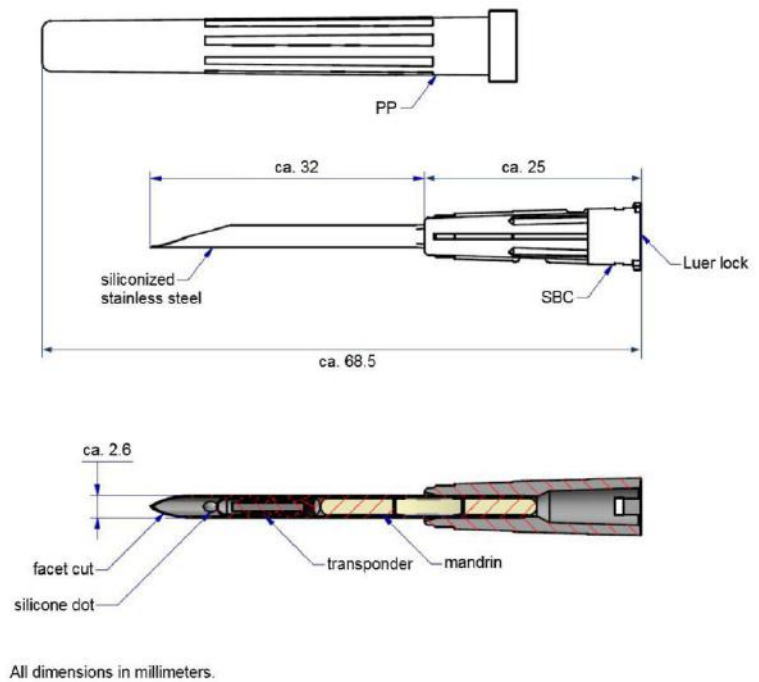
26 rue du Chemin Vert
78610 Le Perray en Yvelines
Email : atcontact@atria-trading.fr

1 CANNULA

COMPONENT COMPOSITION

The cannula consists of the following components:

- Certified by CETIM and ICAR, ISO transponder (2.12x12mm)
- 12G x 32mm cannula with needle cap and mandrin
- Sterile see-through packaging made of paper and hard blister, approx. 90mm x 90mm x 8.5mm
- Barcode sticker



STORAGE

The following storage conditions should not be exceeded.

Temperature: room temperature
 Relative air humidity: 40% - 60% RH, dry storage

Protect from daylight and/ or direct sunlight.
 Do not open the protective packaging before use.
 Do not store nearby chemicals and detergents.

STERILITY

The cannula is sterilized with EO gas. Under the recommended storage conditions, the product is sterile for 5 years from the date of production.

REUSABLE INJECTOR



Reusable more than 1000 times.



Suitable only for the needles and glasstag 2 x 12mm and 1,4 x 8,3mm.

In large quantity various colors may be chosen.

Luerlock system (fulfils with the ISO 594- 1 and 2

Made in PLA therefore biodegradable product.

ATRIA TRADING

26 rue du Chemin Vert
78610 Le Perray en Yvelines
Email : atcontact@atria-trading.fr

2 PROGRAMMING

GENERAL

The glass transponder is programmed and locked during production. The programming is done in accordance to ISO11784/ ISO11785.

PROGRAMMING

Exemple for France

The allocated PID range for programming is from

25026 91 XXXXXXXX TO 250 26 91 XXXXXXXX

The PID range will be controlled by the customer and allocated in conjunction with an order.

The device is configured upon customers requirements.

EEPROM word 14 is used to protect words 0 to 13 from being modified using write word command and shall be set according to following scheme:

Word 14: Protection Word 0000 81F7

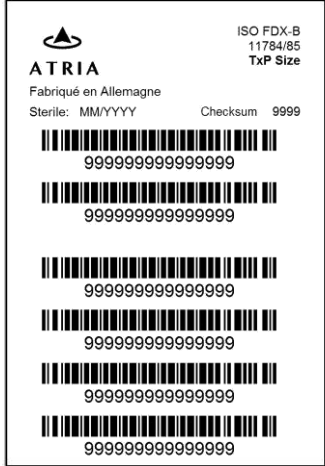
ATRIA TRADING

26 rue du Chemin Vert
78610 Le Perray en Yvelines
Email : atcontact@atria-trading.fr

3 LABELS

BARCODE

For each cannula a barcode sticker is printed. The sticker consists of a header label and 6 barcode stickers with identical barcode.



Over 15 digits of the decimal animal code a CRC checksum is calculated. The result is printed as HEX data. The calculation method is available upon request. The programmed animal code is printed as decimal value and barcode.

PRODUCT PACKAGE

On each product package a label for identification is placed.



SHIPPING PACKAGE

On each shipping package a label for identification is placed.



4 PRODUCT PACKAGE

The product box with the dimensions of approx. 94mm x 94mm x 182mm contains always 20 blister packs with cannulas.

The weight of one product box is approx. 165g.

Onto each product bag a label for identification is placed.



5 SHIPPING PACKAGE

48 product boxes are packaged into 1 shipping box. The shipping box measures approx. 590mm x 394mm x 400mm. The weight is approx. 9.6kg.



← Position of label on shipping box
← EO gas indicator (green = sterilized)

6 MINIMUM ORDER QUANTITY

The MOQ is defined as 1 packaging unit consisting of 1 shipping box (equivalent to 960 cannulas) or a multiple of that.

The weight of a packaging unit is approx. 9.6kg.

7 OPTION: DATA FILE

GENERAL

A data file for each shipment is sent by Atria to the customer.