

Product Specification



Product : Sterile packaged SYRINGE with
1,25 x 8mm Transponder, Parylene, , Programmed
According to ISO 11784, Animal Code and Barcode
Sticker

ATRIA TRADING

26 rue du Chemin Vert
78610 Le Perray en Yvelines
Email : atcontact@atria-trading.fr

1 IMPORTANT INFORMATION

The SYRINGE is designed for exclusive use for the identification of animals. It may only be used for this purpose! The identification of humans or any other use is forbidden! Customer is fully responsible to control the use case.

2 GENERAL

The purpose of this document is to define the complete specification of the product.

This document describes the specification of the syringe with Transponder and Barcode Sticker Package and to establish the requirements against which it will be tested and to which conformity will be guaranteed.

This Specification can be changed from Atria Trading without any prior notice.

The product is RoHS and Reach conforms.

3 SPECIFICATION TRANSPONDER

3.1 GLASS TRANSPONDER

The Glass Transponder is a Realtrace Standard Transponder (1,25x8,3mm) with an EM4305 Chip and Parylene Coating made in Swiss.

3.2 Glass Transponder Programming

The Glass Transponder is Programmed and Locked in Germany. The Programming is done in accordance to ISO11784/ ISO11785.

The possible programmed PID Range is from **xxxxxxxxxxxx** à **xxxxxxxxxxxxxxxx** PID Range is controlled by Realtrace.

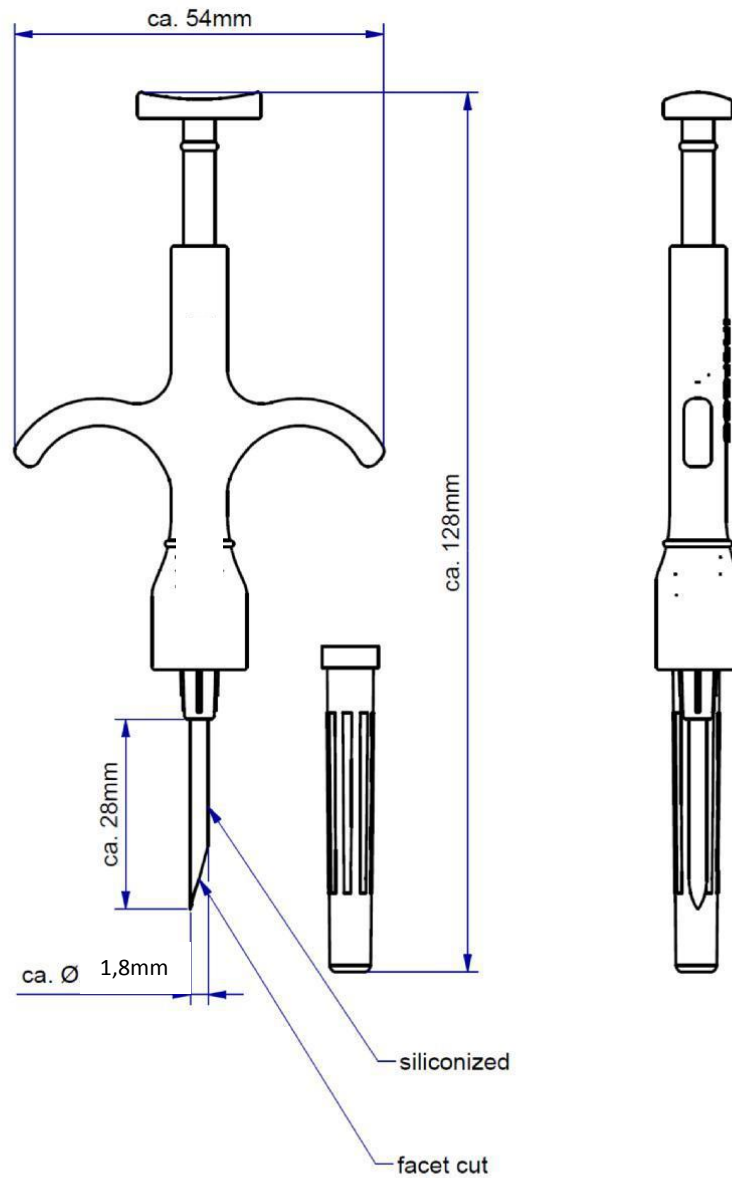
It is possible to use the ICAR certificate code of Realtrace or a country code provided by the customer.

ATRIA TRADING

26 rue du Chemin Vert
78610 Le Perray en Yvelines
Email : atcontact@atria-trading.fr

4 SPECIFICATION SYRINGE

4.1 SKETCH SYRINGE



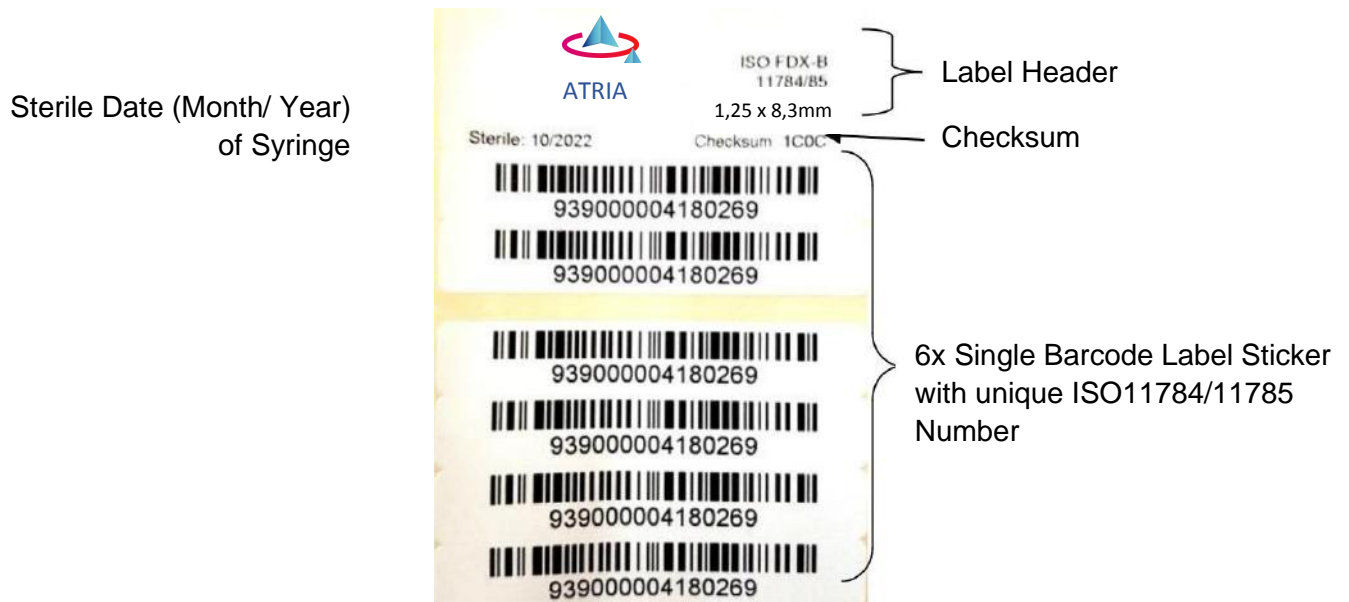
ATRIA TRADING

26 rue du Chemin Vert
78610 Le Perray en Yvelines
Email : atcontact@atria-trading.fr

5 SPECIFICATION BARCODE STICKER

5.1 BARCODE STICKER

For each SYRINGE a Barcode Sticker is printed out. The Sticker consists out of a Header and 6 Barcode Stickers with identical Barcode.



5.2 LABEL HEADER

The Label Header contents different information about the product, see picture above.

5.3 STERILE DATE

Under normal storage conditions and undamaged packaging the product is sterile for typically 5 years starting with the production date.

5.4 CHECKSUM

Over the 15 digits decimal Animal Code a CRC Checksum is calculated. The Number is printed as HEX data. The calculation Method is available upon request.

5.5 BARCODE LABEL STICKER

The Programmed Animal Code is printed as decimal value and Barcode on the Sticker. Barcode Type: Code 128; Arial Rounded MT Bold/ Normal/ 10.

ATRIA TRADING

26 rue du Chemin Vert
78610 Le Perray en Yvelines
Email : atcontact@atria-trading.fr

6 PACKAGING

6.1 BLISTER PACKAGING



The syringe with the programmed Transponder and the Barcode Sticker is placed inside a Soft Blister Package. The Blister Pack has the dimension of 120mm x 250mm x 12.5mm with a tolerance of +/- 5mm.

6.2 PRODUCT BAG PACKAGING

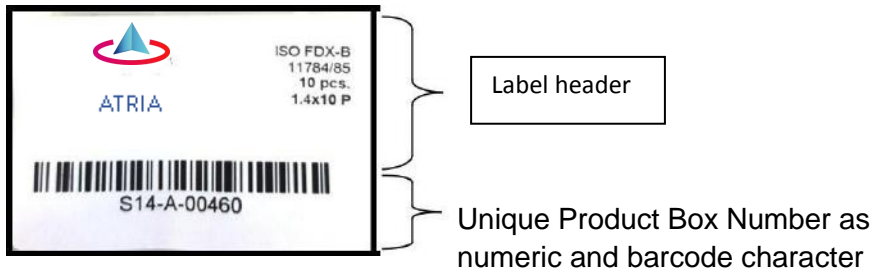


Product Bag is a Bag (315 x 235 x 30mm; Tolerance +/- 5mm; see picture above) that contains always 10 Blister Packs.

Onto each Product Bag a Label for identification is placed as shown in picture.

ATRIA TRADING

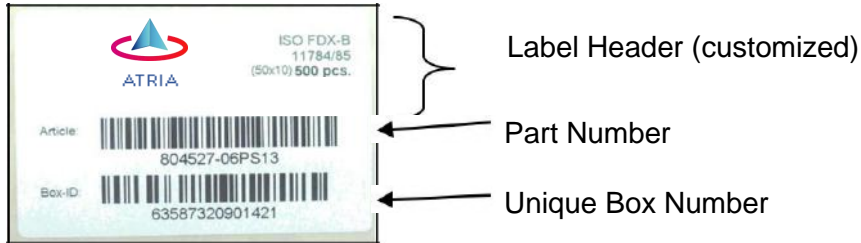
26 rue du Chemin Vert
78610 Le Perray en Yvelines
Email : atcontact@atria-trading.fr



Barcode Type: Code 128; Arial Rounded MT Bold/ Normal/ 10.

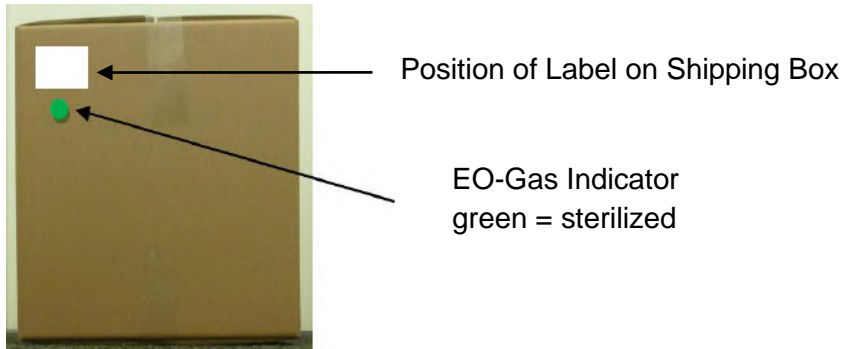
6.3 SHIPPING BOX PACKAGING

DATA TRACE ARGENTINA products are packaged into 1 Shipping Box. The Shipping Box is 590 x 394 x 400mm with a tolerance of +/-10mm. The weight is 6.5kg +/- 0.3kg.



Shipping Box Label

Barcode Type: Code 128; Arial Rounded MT Bold/ Normal/ 8.



6.4 PALLET PACKAGING

A Pallet contains always 16 Shipping Boxes in 4 Stacks of 4 Boxes each. In total there are 8000 Syringes onto one Pallet.

Packaging stack is as described in sketch below.



Dimensions are maximum values.

Note : to lower the shipping price it is possible to send the blister packaging in bulk in the box. In this case each box contains around 600 syringes and a full pallet around 9600 syringes

ATRIA TRADING

26 rue du Chemin Vert
78610 Le Perray en Yvelines
Email : atcontact@atria-trading.fr

7 STORAGE CONDITIONS

In order to ensure the sterility of the entire storage period, the following storage conditions should not be exceeded.

Temperature: typically room temperature (max. 0°C to +50°C, edge temperatures for min. 168h)
Relative air humidity: 40% - 60% RH, dry storage

Protect from daylight and/ or direct sunlight.

Do not open protecting packaging until the point of use of the product.

Do not store nearby Chemicals and detergents.

8 STERILIZATION

METHOD

The syringe and needle are sterilized with EO-Gas. Under normal storage conditions the product is sterile for typically 5 years.

ATRIA TRADING

26 rue du Chemin Vert

78610 Le Perray en Yvelines

Email : atcontact@atria-trading.fr